



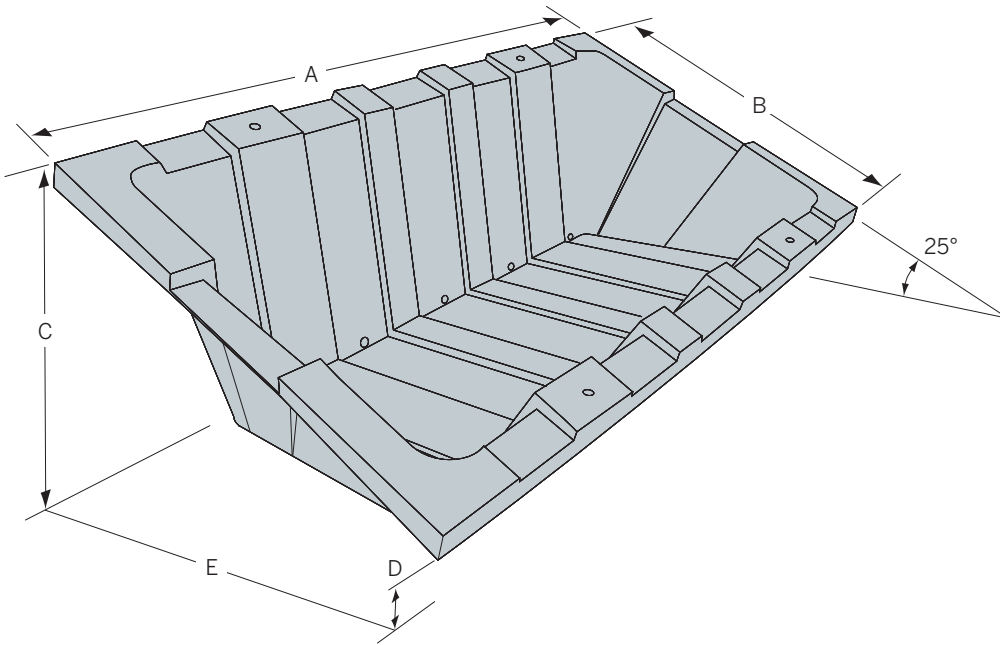
## Intelligentes System Type ConSole

Plastic basin for flat roof installation

The ConSole installation system is the ideal solution for cost-effective use of solar modules on flat roofs. The plastic basins, made from 100 percent recycled chlorine-free polyethylene, are weighted down with ballast to hold the solar modules on the roof. The basin material meets the fire safety requirement of DIN 4102 Class B2. And thanks to the material used, this mounting solution has a long service life and is maintenance-free.

### Highlights:

- Ideal for flat roofs with gravel
- No roof penetration
- Maintenance-free
- Made from 100 % recycled, chlorine-free polyethylene
- Calculation of ballast value according to DIN 1055-4:2005-03 and Eurocode
- 10-year product warranty\*



**LEGENDE**

ConSole 4.1: A = 1680; B = 840; C = 400; D = 50; E = 740;
ConSole 4.2: A = 1240; B = 1090; C = 530; D = 50; E = 960;
ConSole 5.2: A = 1520; B = 1080; C = 500; D = 40; E = 960;
ConSole 6.2: A = 1740; B = 1070; C = 500; D = 50; E = 970;

**ITEM NUMBER**

6100100004	ConSole 4.1
6100100006	ConSole 4.2
6100100019	ConSole 5.2
6100100008	ConSole 6.2
6100100010	Profile elongation set

Stand 09.01.2013

Your IBC SOLAR partner:

\* Product and power warranty in accordance with the version of the full warranty conditions received from your specialized IBC SOLAR partner at the time of installation. This warranty is valid only when the relevant product is installed in accordance with the applicable installation instructions.

Subject to modifications that represent progress.

\* Please refer to the current installation instructions for the required ballast figures and installation specifications. All dimensions in mm.