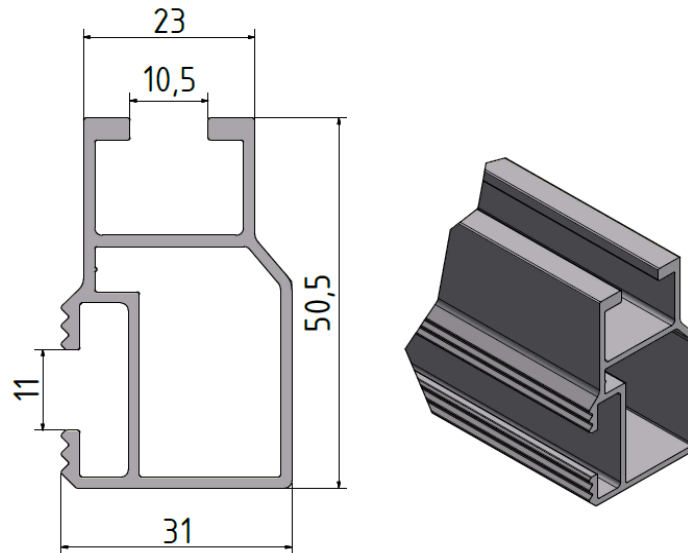


Technical data sheet

Support Rail TF50+

Updated: 02.05.2016



Parameter	Values
Material	aluminium (EN AW-6063 T66)
Height in mm	50.5
Length in mm	2100/ 3100/ 5200
Weight in kg/m	0.794
Moment of resistance W_x in cm^3	3.300
Moment of resistance W_y in cm^3	2.160
Moment of inertia I_x in cm^4	7.900
Moment of inertia I_y in cm^4	3.090
Total area A in cm^2	2.900

Subject to errors and modifications.