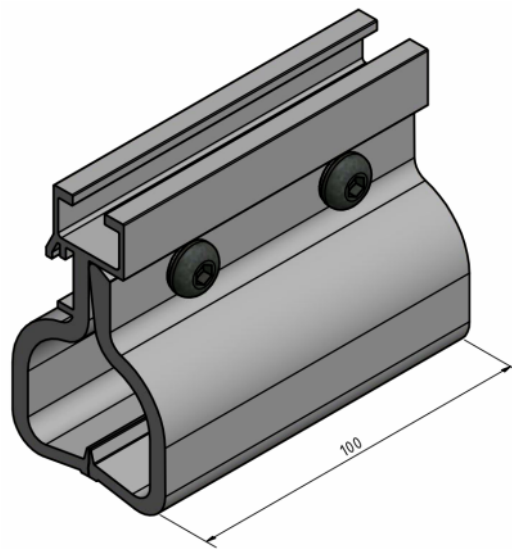


Technical data sheet Metal Seam Clamp G2

Updated: 07.05.2018



Parameter	Values
Material	aluminium
Area of application	standing seam roofs of aluminium, steel or stainless steel

Subject to errors and modifications.